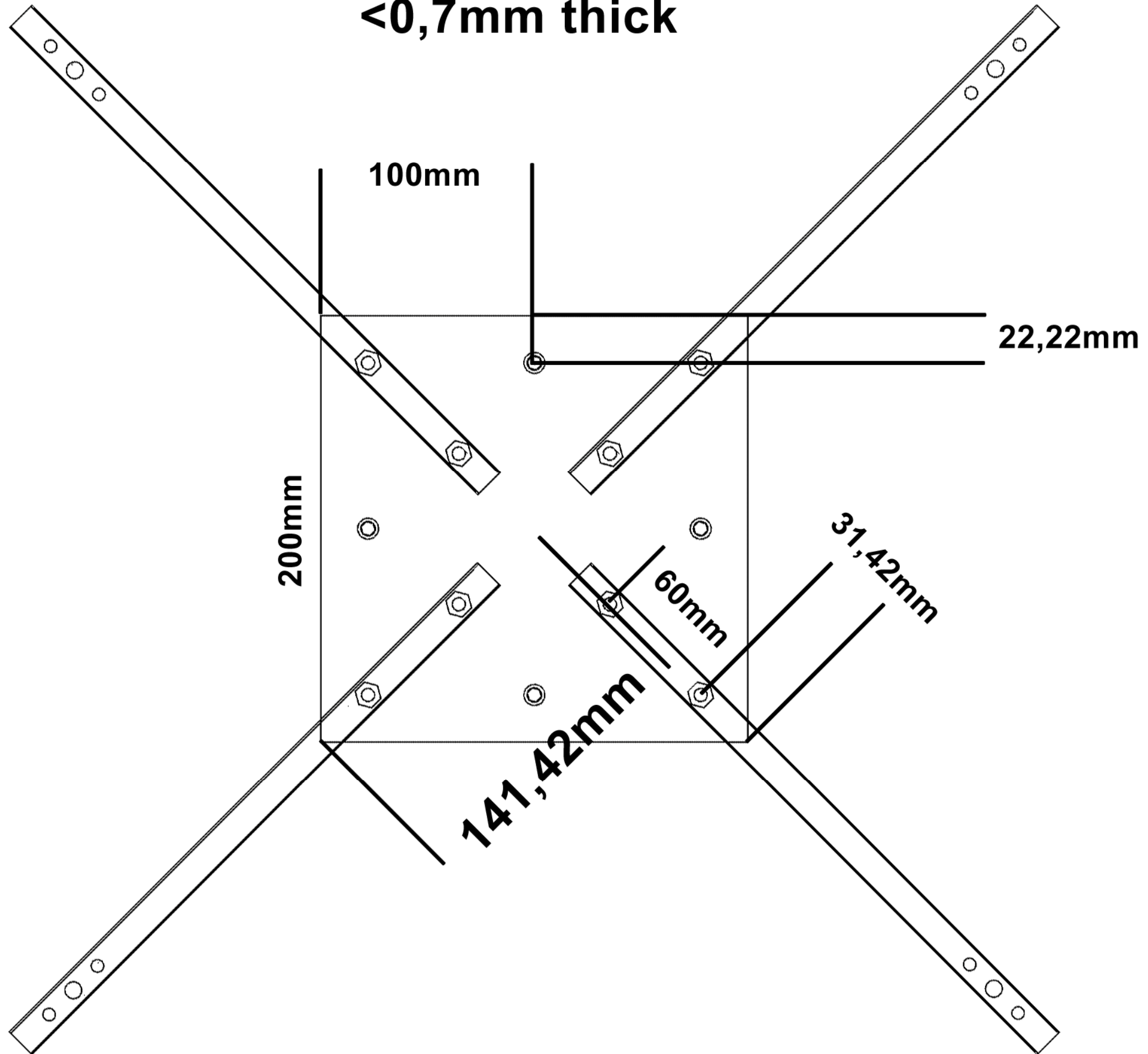
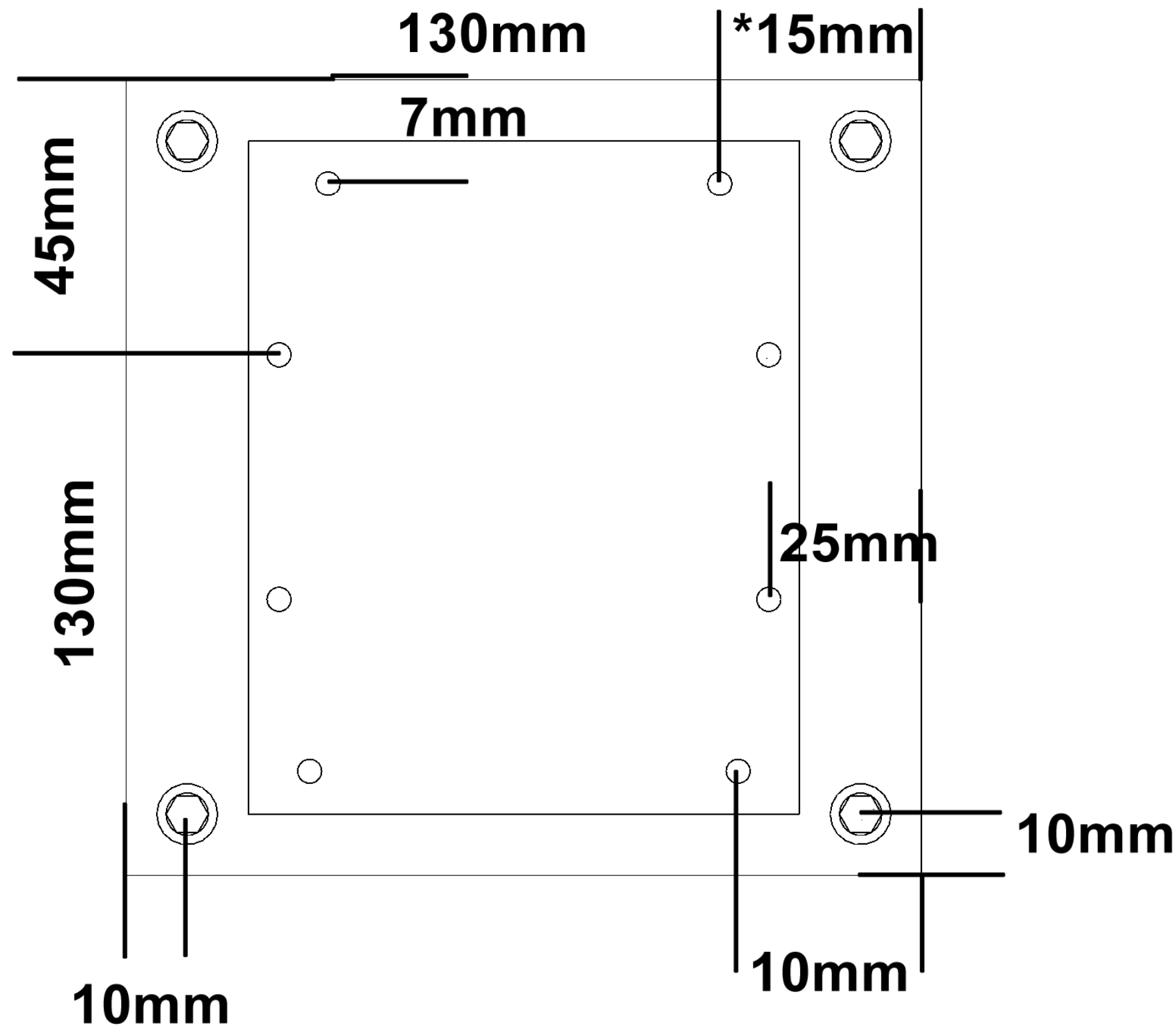


**200mm\*200mm  
Plywood (krydsfinér)  
<0,7mm thick**





**\* = Different from other corners**